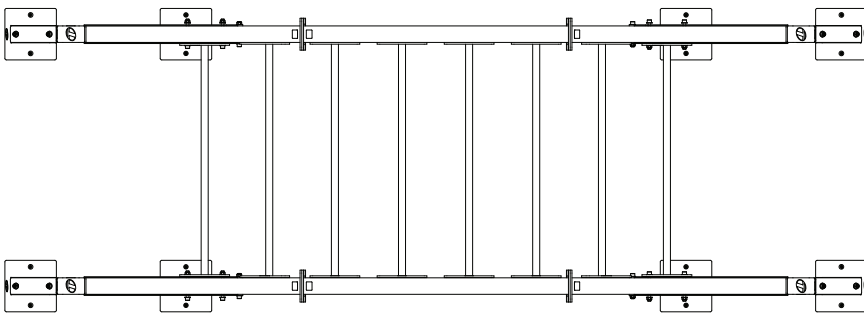




Model number	XCB-2M-13
Outside Bridge Footprint	54.3" x 154.3" (138 cm x 392 cm)
Inside Bridge Footprint	54.3" x 80.3" (138 cm x 204 cm)
Height	Frame 101.8" (259 cm)
Minimum Required Live Area	11.5' x 13.4' (3.5 m x 4.1 m)
Warranty	10 year frame and welds/1 year parts/90 days misc.

### TOP VIEW



### MODULE OPTIONS

- STORAGE MODULE
- BALL & HANGING STORAGE
- STALL BARS
- BALL TARGET WALL
- MODULE EXTENSION

### ATTACHMENT OPTIONS

- BALL TARGET
- BATTLE ROPE ANCHOR
- BALL & HANGING STORAGE EXTENSION
- GROUND ROTATIONAL TRAINER
- BAR/WEIGHT STORAGE
- DIP ATTACHMENT
- PLYO-STEP ATTACHMENT
- 3D HEAVY BAG SWIVEL
- ENDLESS ROPE
- ROCK CLIMBING GRIPS
- MONKEY BARS
- FUNCTIONAL BARS

**NOTE:** X-Create systems are required to be bolted to a concrete sub-floor.