

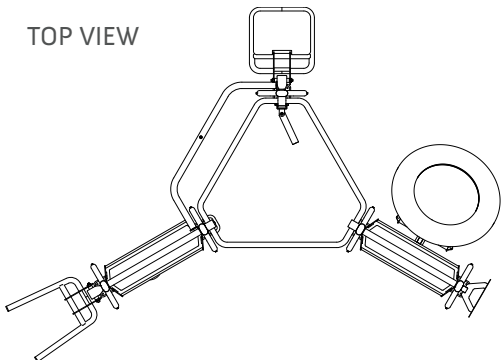


# SPIDER 1 X1 PACKAGE



Model number	XLS1-X1
Footprint	82.7" x 139.2" (210 cm x 354 cm)
Height	Frame 98.5" (250 cm) Ball Target 129.0" (328 cm)
Minimum Required Live Area	18.0' x 12.5' (5.5 m x 3.8 m)
Warranty	10 year frame and welds/1 year parts/90 days misc.

TOP VIEW



Note: Accessories shown are not included; X-Lab is required to be bolted to a concrete sub-floor

